

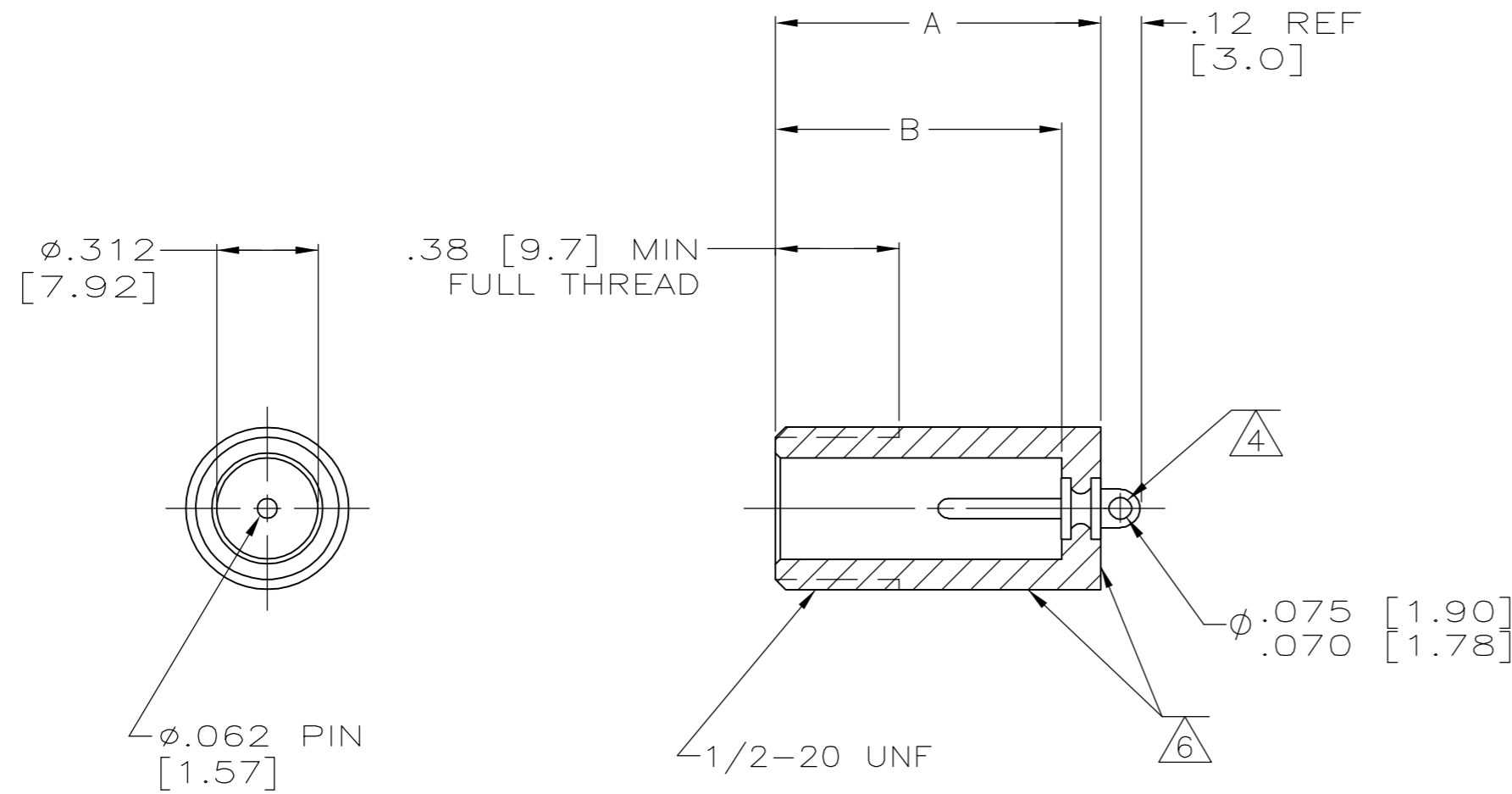
THIS DRAWING IS UNPUBLISHED. RELEASED FOR PUBLICATION - .N/A .
 © COPYRIGHT N/A BY TYCO ELECTRONICS CORPORATION. ALL RIGHTS RESERVED.

LOC	DIST	REVISIONS					
DF	S0	P	LTR	DESCRIPTION	DATE	DWN	APVD
		AB		REV PER OH14-0191-05	05-05	AA	DE

- RECEPTACLE TO MATE WITH AMP LGH-1 LEAD ASSY.
- MARKED PER MIL-STD-130.

~~3 MARKED PER MIL-STD-130 INCLUDING CUST P/N 15020-002.~~

- 4 PIN EYELET IS SOLDER DIPPED ON 1--7 ONLY.
- 5 SPECIAL TESTING/INSPECTION:
100% VISUAL WORKMANSHIP/APPEARANCE
100% DWV 30,000VDC @ S.L./AMBIENT CONDITIONS
- 6 .500 [12.70] DIA. AND REAR SURFACE SAND
BLASTED TO PROMOTE ADHESION TO POTTING MATERIAL.



REMARKS	PIN PLATING	DIM B	DIM A	PART NO.
5	TIN	.88 [22.4]	1.00 [25.4]	6-834333-8
-	TIN	.75 [19.0]	.88 [22.4]	5-834333-3
-	TIN	.88 [22.4]	1.00 [25.4]	5-834333-2
-	TIN	1.00 [25.4]	1.12 [28.4]	5-834333-1
-	TIN	1.12 [28.4]	1.25 [31.7]	5-834333-0
5	TIN-LEAD	.88 [22.4]	1.00 [25.4]	1-834333-8
4/6	TIN-LEAD	.88 [22.4]	1.00 [25.4]	1-834333-7
OBSOLETE	TIN-LEAD	.88 [22.4]	1.00 [25.4]	1-834333-6
OBSOLETE	GOLD	.75 [19.0]	.88 [22.4]	834333-7
OBSOLETE	GOLD	.88 [22.4]	1.00 [25.4]	834333-6
OBSOLETE	GOLD	1.00 [25.4]	1.12 [28.4]	834333-5
OBSOLETE	GOLD	1.12 [28.4]	1.25 [31.7]	834333-4
-	TIN-LEAD	.75 [19.0]	.88 [22.4]	834333-3
-	TIN-LEAD	.88 [22.4]	1.00 [25.4]	834333-2
-	TIN-LEAD	1.00 [25.4]	1.12 [28.4]	834333-1
-	TIN-LEAD	1.12 [28.4]	1.25 [31.7]	834333

THIS DRAWING IS A CONTROLLED DOCUMENT.		DWN C.C.THOMAS 23-MAR-94	Tyco Electronics Corporation Harrisburg, Pa 17105-3608	
DIMENSIONS: INCHES	TOLERANCES UNLESS OTHERWISE SPECIFIED:	CHK C.SHELLY 11-APR-94	NAME RECEPTACLE LGH-1	
	0 PLC ± -	APVD C.SHELLY 11-APR-94	SIZE A2	
	1 PLC ± -	PRODUCT SPEC	CAGE CODE 00779	DRAWING NO C=834333
	2 PLC ± .02[0.5]	APPLICATION SPEC	RESTRICTED TO	
	3 PLC ± .005[0.13]		SCALE 2:1	
	4 PLC ± -		SHEET 1 OF 1	
	ANGLES ± -		REV AB	
MATERIAL EPOXY MLDG CMPD COLDR: BLACK	FINISH -	WEIGHT -	CUSTOMER DRAWING	